



MILLENNIUM METALS, INC.

10200 Eastport Road Jacksonville, FL 32218
877-358-7663

Off Ridge Vent Installation (*with or without detachable baffle*)

A. Preparation

To prepare roof for installation it will be necessary to determine how many and what type of vents will be needed for the project.

Off Ridge Ventilation should be installed as evenly as possible across the roof section. The roof vent should be installed a minimum of 6" off the peak of the ridge. Cut out sizes are located below in **Table 1-1**.

IMPORTANT NOTE: DO NOT CUT INTO RAFTERS OR TRUSSES.

When installing vents on an existing shingle roof remove shingles from the sides and top of the opening. Remove any nails that interfere with installing the vent. This typically includes nails that are to be 3" within the body of the vent. Shingles and existing nails should remain on the bottom slope up to the cut opening.

Roof cement is necessary around the perimeter of the underside of the vent to seal it to the underlayment or shingles. The cement should also be installed on the vent completely cover back and side flanges. The cement should be ¼" thick and should extend 2" onto the underlayment. The lower portion of the vent should already have shingles installed up to the cut opening. The lower portion of the vent should sit on the roof cement. Shingles should be installed on the back and side flanges of the vent. All nail areas should be covered with cement.

B. Opening & Positioning

The cut opening should be positioned a minimum of 10" from the back flange. This allows a minimum clearance of 2-1/2" from the roof to the top of the vent. The vent should be centered horizontally over the opening.

| Off Ridge Vent Installation Chart | | |
|-----------------------------------|------------------------------|---------------------|
| <u>Length</u> | <u>Net Free Area (sq in)</u> | <u>Cut Out Size</u> |
| 4' | 115 | 46" x 2-1/2" |
| 6' | 175 | 70" x 2-1/2" |
| 8' | 235 | 94" x 2-1/2" |
| 10' | 295 | 118" x 2-1/2" |

Table 1-1

C. Fastening of the Off Ridge Vent

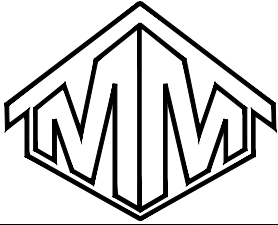
- 1) If using detachable baffle, attach the baffle by sliding it onto the lower flange of roof vent. Care should be taken to see it is flush with front flange of vent. Secure as indicated on drawing.
- 2) Fasten the top, side, and lower flange with a minimum of 1-1/2" ring shank nail 4" on center. The nail should be 1-1/2 inches from the edge of the flange and 1-1/2" from the corners of the vent.

Nail must be ASTM F1667 compliant in accordance with Florida Building Code Section 15.

Millennium Metals manufactures off ridge vents in the following gauges of steel & aluminum (*Aluminum available with detachable baffle only*), which meets the requirements of the 2010 Florida Building Code (chapter 15).

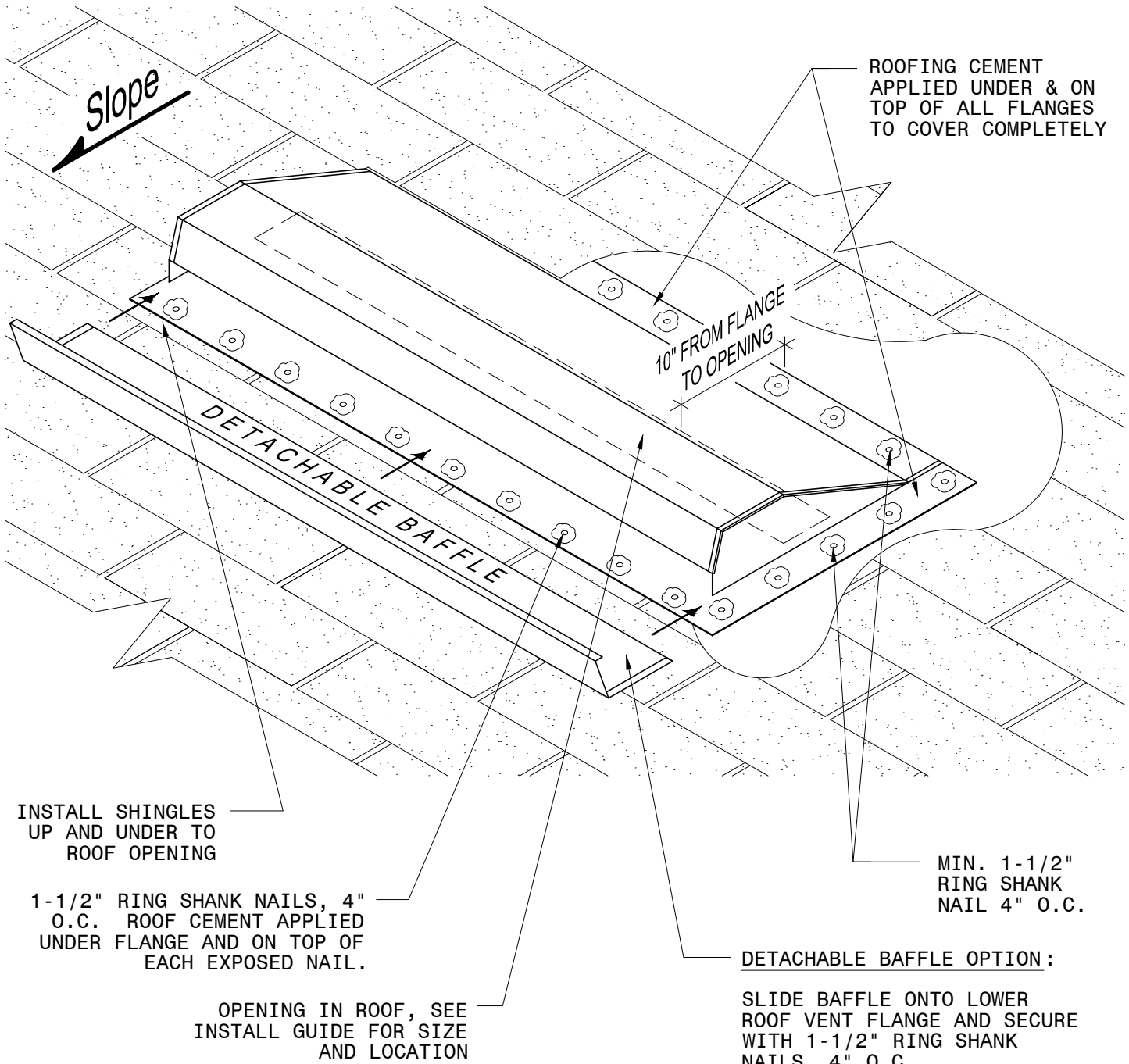
| |
|--|
| 26 gauge (.0179 min) AZ50 Acrylic Coated Galvalume Steel |
| 26 gauge (.0179 min) ASTM A-653 Steel G-90 Commercial Steel Type B |
| 26 gauge (.0179 min) ASTM A-755 Ptd Steel Commercial Steel Type B |
| Ptd Aluminum (.025 min) ASTM B-209 * |

*Aluminum is only available with detachable baffle due to Florida Product Approval.



MILLENNIUM METALS, INC.

10200 EASTPORT ROAD JACKSONVILLE, FL 32218
904-358-8366 WATTS 1-877-358-7663 (ROOF)
FAX 904-358-8285



ROOFING CEMENT
APPLIED UNDER & ON
TOP OF ALL FLANGES
TO COVER COMPLETELY

10" FROM FLANGE
TO OPENING

DETACHABLE BAFFLE

INSTALL SHINGLES
UP AND UNDER TO
ROOF OPENING

1-1/2" RING SHANK NAILS, 4"
O.C. ROOF CEMENT APPLIED
UNDER FLANGE AND ON TOP OF
EACH EXPOSED NAIL.

OPENING IN ROOF, SEE
INSTALL GUIDE FOR SIZE
AND LOCATION

MIN. 1-1/2"
RING SHANK
NAIL 4" O.C.

DETACHABLE BAFFLE OPTION :
SLIDE BAFFLE ONTO LOWER
ROOF VENT FLANGE AND SECURE
WITH 1-1/2" RING SHANK
NAILS, 4" O.C.

OFF RIDGE VENT