

Evaluation Report "MI Off Ridge Vent" Ridge Vent Assembly

Manufacturer:

Millennium Metals, Inc.
10200 Eastport Road
Jacksonville, FL 32218
(877) 358-7663

for

Florida Product Approval

FL 7559.1 R3

Florida Building Code 2010

Per Rule 9N-3

Method: 2 - B

Category: Roofing

**Sub - Category: Roofing Accessories that are an Integral
Part of the Roof System**

Product: "MI Off Ridge Vent

Material: Steel or Aluminum

Support: Wood Deck

Prepared by:

James L. Buckner, P.E., S.E.C.B.

Florida Professional Engineer # 31242

Florida Evaluation ANE ID: 1916

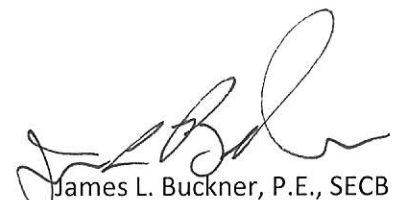
Project Manager: Diana Galloway

Report No. 12-117-M1-RV-ER

Date: 2 / 6 / 12

Contents:

Evaluation Report Pages 1 – 7



James L. Buckner, P.E., SECB
Florida P.E. # 31242
2/23/12

CBUCK, Inc.

1399 N. Killian Drive, Suite 4, West Palm Beach, Florida 33403
Phone: (561)491-9927 Fax: (561)491-9928 Website: www.cbuckinc.net

Manufacturer:	Millennium Metals
Product Name:	"MI Off Ridge Vent"
Product Category:	Roofing
Product Sub-Category	Roofing Accessories that are an Integral part of the Roofing System
Compliance Method:	State Product Approval Rule 9N-3.005 (2) (b)
Product/System Description:	"MI Off Ridge Vent" Steel or Aluminum roof ridge vent for shingle roofs mechanically attached to Plywood Deck.
Product Assembly as Evaluated:	Refer to Page 4 of this report for product assembly components/materials & standards: <ol style="list-style-type: none">1. Ridge Vent2. Fasteners3. Roof Adhesive
Support:	Type: Wood Deck (Design of support and its attachment to support framing is outside the scope of this evaluation.) Description: <ul style="list-style-type: none">• 15/32 (min.) or greater plywood,• or Wood plank (min. specific gravity of 0.42)
Slope:	3:12 or greater

- Performance Standards:** The product described herein has demonstrated compliance with:
- **TAS-100(A)-95** - *Wind and Wind Driven Rain Resistance and/or Increased Windspeed Resistance of Soffit Ventilation Strip and Continuous or Intermittent Ventilation System Installed at the Ridge Area.*
- Code Compliance:** The product described herein has demonstrated compliance with Florida Building Code 2010, Section 1714.2.
- Evaluation Report Scope:** This product evaluation is limited to compliance with the structural requirements of the Florida Building Code, as related to the scope section to Florida Product Approval Rule 9N-3.001.
- Limitations and Conditions of Use:**
- This product shall not be installed on roof mean heights greater than 33 feet.
 - This product shall not be installed on roof slopes less than 3:12.
 - Refer to applicable building code for ventilation requirements.
 - Scope of "Limitations and Conditions of Use" for this evaluation:
This evaluation report for "Optional Statewide Approval" contains technical documentation, specifications and installation method(s) which include "Limitations and Conditions of Use" throughout the report in accordance with Rule 9N-3.005. Per Rule 9N-3.004, the Florida Building Commission is the authority to approve products under "Optional Statewide Approval".
 - Option for application outside "Limitations and Conditions of Use"
Rule 9N-3.005(1)(e) allows engineering analysis for "project specific approval by the local authorities having jurisdiction in accordance with the alternate methods and materials authorized in the Code". Any modification of the product as evaluated in this report and approved by the Florida Building Commission is outside the scope of this evaluation and will be the responsibility of others.
 - Design of support system is outside the scope of this report.
 - Fire Classification is outside the scope of Rule 9N-3, and is therefore not included in this evaluation.
 - This evaluation report does not evaluate the use of this product for use in the High Velocity Hurricane Zone code section. (Dade & Broward Counties)
- Quality Assurance:** The manufacturer has demonstrated compliance of roof panel products in accordance with the Florida Building Code and Rule 9N-3.0005 (3) for manufacturing under a quality assurance program audited by an approved quality assurance entity through **Keystone Certifications, Inc.** (FBC Organization #: QUA 1824).

**Components/Materials
(by Manufacturer):**

Ridge Vent:

“MI Off Ridge Vent”

Material Type 1:

Steel

Thickness:
Yield Strength:
Corrosion Resistance:

26 gauge (min.)
40 ksi min.
In compliance with FBC Section 1507.4.3:
• ASTM A792 coated, or
• ASTM A653 G90 galvanized steel

Material Type 2:

Aluminum

Thickness:
Alloy Type:
Corrosion Resistance:

0.025” (min.)
3105-H14
In compliance with FBC Section 1507.4.3:
ASTM B209

Dimensions:

Width: 24-1/4”
Height: 4-1/2”
Lengths: 2’, 4’, 6’, 8’ and 10’

Fastener:

FASTENER 1:

Type:
Size :
Corrosion Resistance:
Standard:

Annular Ring Shank Roofing Nails
11 gauge x 1-1/2”
Per FBC Section 1506.5
Per ASTM F 1667

FASTENER 2:

Type:
Size :
Corrosion Resistance:
Standard:

Hex-Head Wood Screw with WSW
#9 x 1”
Per FBC Section 1506.6 and 1507.4.4
Per ANSI/ASME B18.6.4

Roof Adhesive:

Type:
Application Size :
Standard:

Asbestos-free asphalt based roof cement
with SBS rubber
1/4” thick minimum
Per ASTM D 3019 Type III and ASTM D 3409

Installation:

Installation Method:

(Refer to drawings on Pages 6-7 of this report.)

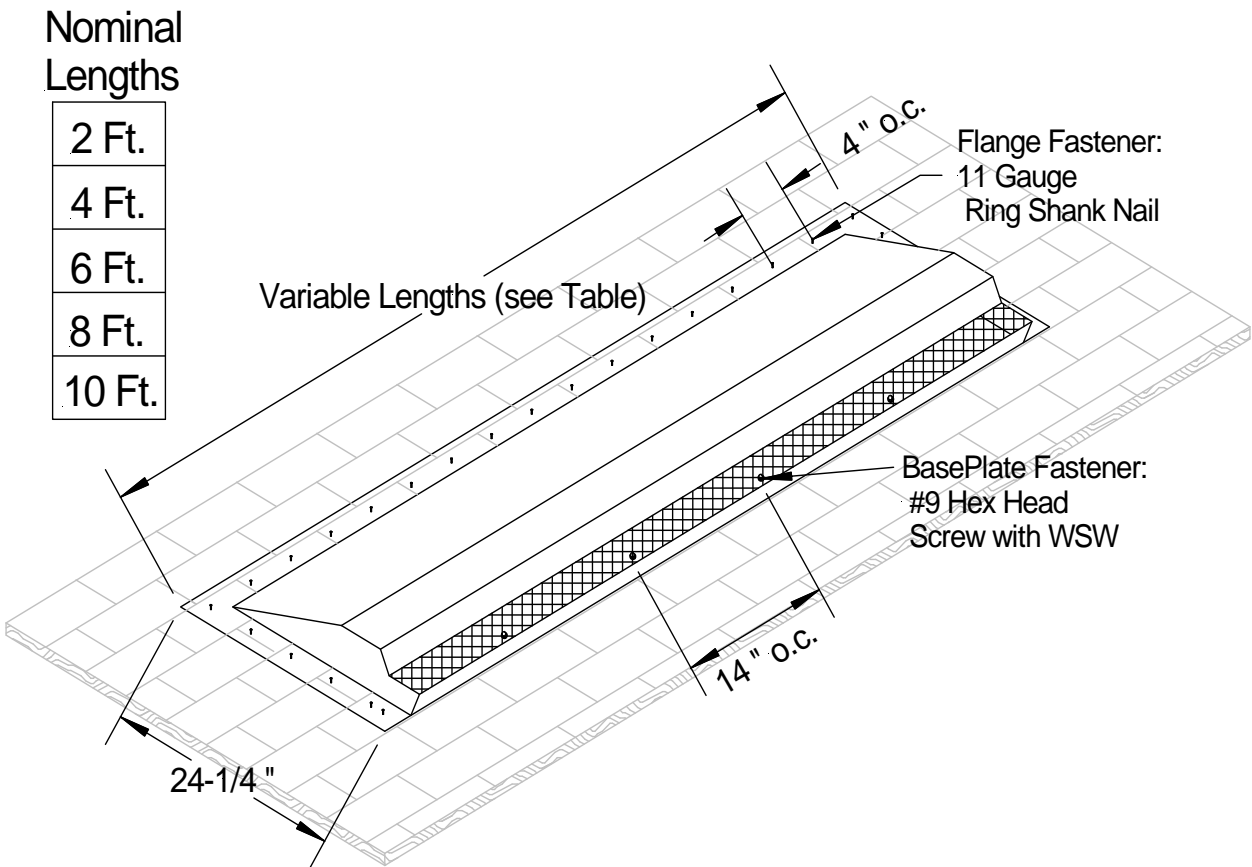
- Prepare deck opening by trimming any shingles & nails that may interfere with ridge vent installation.
- Apply roof cement to the underside, back and side flanges of the ridge vent. Cement should be a 1/4" thick and extend 2" onto roof underlayment. (Install cement in compliance with manufacturer's installation guidelines.)
- Position vent flange beneath loosened shingles and align with deck opening.
- Attach vent top and side flanges to deck with **nails** spaced **4" o.c.** and 1-1/2" from each end.
- Attach vent base plate to deck with **screws** spaced **14" o.c.** through pilot holes on screen.
- Minimum fastener penetration thru bottom of support, 3/16".

Install the "MI Off Ridge Vent" assembly in compliance with the installation method listed in this report and applicable code sections of FBC 2010. The installation method described herein is in accordance with the scope of this evaluation report. Refer to manufacturer's installation instructions as a supplemental guide for attachment.

Referenced Data:

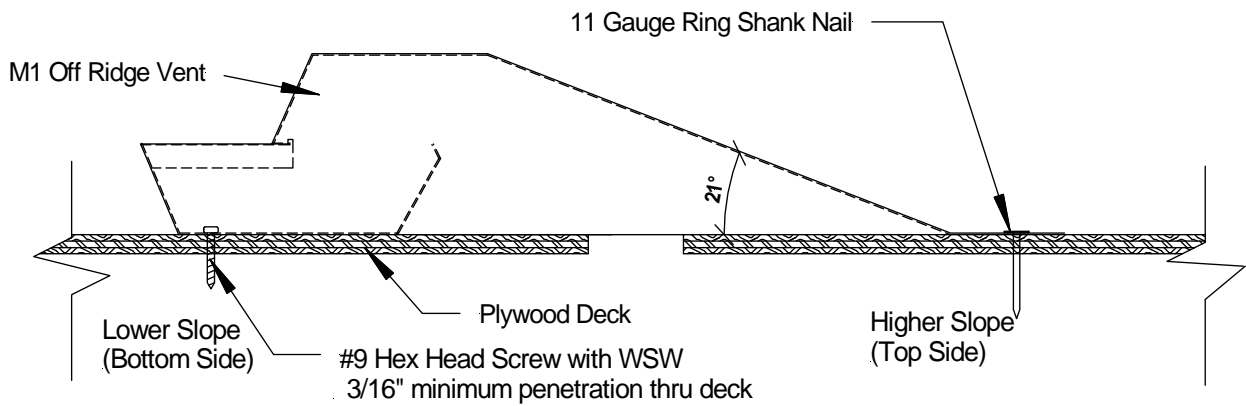
1. TAS 100(A)-95 Test
PRI Asphalt Technologies, Inc.(FBC Organization #TST ID: 1556) Report #:
MMI-001-02-01, Report Date: 9/1/06
2. Quality Assurance
By Keystone Certifications, Inc. (QUA ID: 1824)
Millennium Metals Licensee # 423
3. Certification of Independence
By James L. Buckner, P.E. @ CBUGK Engineering
(FBC Organization # ANE 1916)

Installation Method Millennium Metals "MI Off Ridge Vent" Attached to Wood Deck

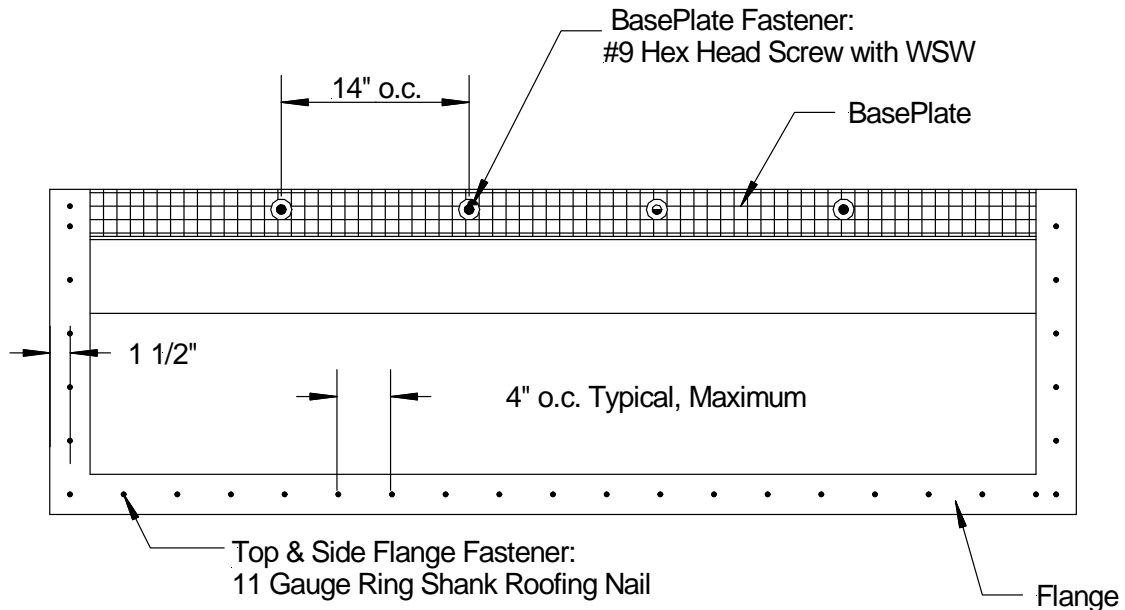


Typical Isometric View

Installation Method Millennium Metals "MI Off Ridge Vent" Attached to Wood Deck



Side View



Plan View